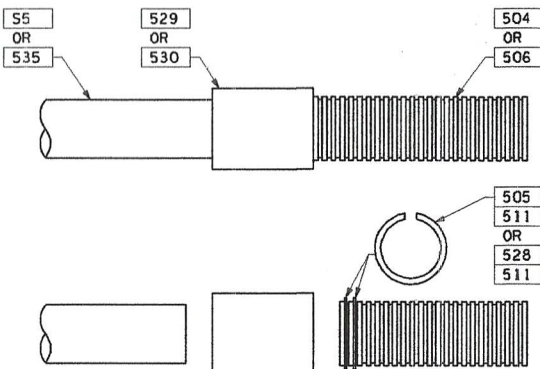
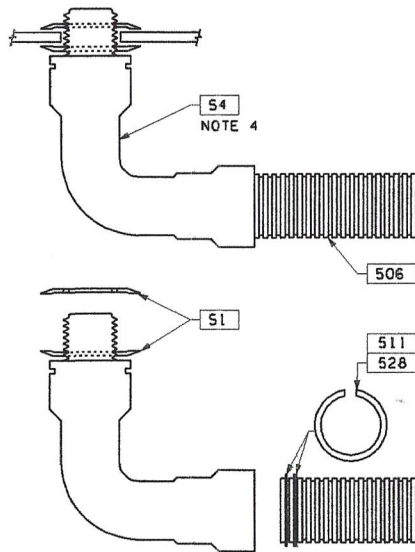


DESIGNS A, B, C
 DESIGN CORFLO SIZE KNOCKOUT OR HUB
 A 2" 1 1/2"
 B 2" 2"
 C 3" 3"



DESIGNS E, F
 DESIGN CORFLO SIZE PVC SIZE
 E 2" 2"
 F 3" 3"



DESIGN D
 DESIGN CORFLO SIZE KNOCKOUT OR HUB
 D 2" 1 1/2"

ITEM NO	QUANTITY/DESIGN						HU	STOCK NO	DESCRIPTION
	A	B	C	D	E	F			
502			1				EA	401-1019	ADAPTER-3" CORFLO TO 3" MALE PIPE THREAD, W/LKNT
504		*					M	400-3016	FLEXIBLE DUCT-POLYETHYLENE (CORFLO), 3'
505			2			2	EA	401-1023	SEAL RING-3" FOR ADAPTER 4011019
506	*	*		*	*		M	400-3015	FLEXIBLE DUCT-POLYETHYLENE (CORFLO), 2'
509	1						EA	401-1012	ADAPTER-2" CORFLO TO 1 1/2" MALE PIPE THREAD
510	1						EA	401-1018	ADAPTER-2" CORFLO TO 2" MALE PIPE THREAD, W/LKNT
511	*	*	*	*	*	*	EA	141-1044	PVC CEMENT-ONE PINT CONTAINER
528	2	2		2	2		EA	401-1022	SEAL RING-2" FOR ADAPTER 4011018
529						1	EA	401-0383	ADAPTER-DUCT TO CORFLO, 3'
530					1		EA	400-3075	ADAPTER-DUCT TO CORFLO, 2'
535						*	EA	400-4011	CABLE DUCT-PVC, TYPE DB2, 6M LONG, W/ONE COUPLING, 3"
S1	2			2			EA	**	CONDUIT LOCKNUT-GALVANIZED, 1 1/2"
S2		1					EA	**	CONDUIT LOCKNUT-GALVANIZED, 2"
S3			1				EA	**	CONDUIT LOCKNUT-GALVANIZED, 3"
S4				1			EA	**	ADAPTER-90°, 2" CORFLO TO 1 1/2" MALE PIPE THREAD
S5					*		EA	**	CABLE DUCT-PVC, TYPE DB2, 6M LONG, W/ONE COUPLING, 2"

* QUANTITY AS REQUIRED FOR SPECIFIC PROJECT
 ** MATERIAL TO BE SUPPLIED BY INSTALLATION CONTRACTOR

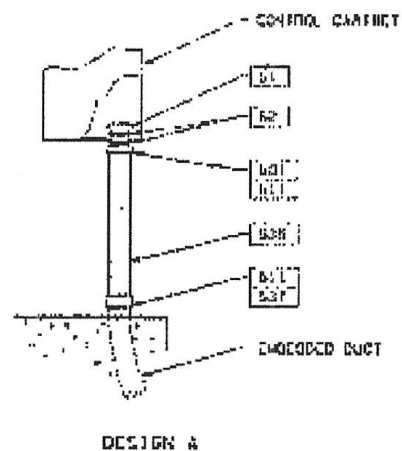
NOTES

- CORFLO CAN BE SURFACE MOUNTED, DIRECT BURIED UP TO 1200 mm OR CONCRETE ENCASED.
- CORFLO HAS A CORRUGATED WALL WHICH ALLOWS BENDS WITH A MINIMUM RADIUS EQUAL TO TWICE THE CORFLO OUTSIDE DIAMETER.
- CORFLO MATERIAL IS HIGH-DENSITY POLYETHYLENE.
- BECAUSE OF THE SMALL BEND RADIUS, ELBOW ADAPTERS SHALL BE USED ONLY WHERE CABLE SIZE IS SMALL IN RELATION TO THE CONDUIT.
- CORFLO DIMENSIONS AND MASSES ARE AS FOLLOWS:

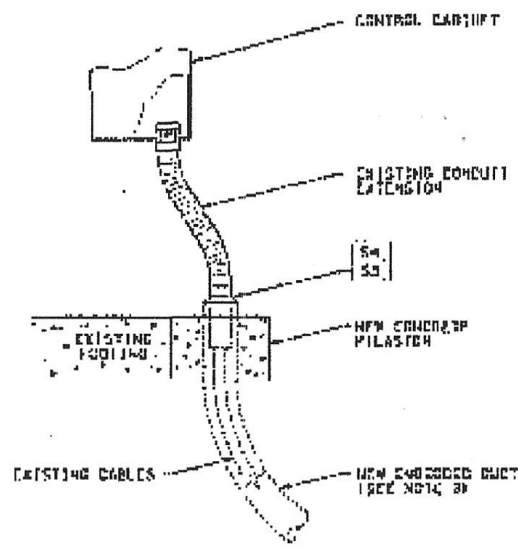
NOM SIZE	OD(mm)	MIN ID(mm)	NOM MASS(kg/M)
2"	66	51	0.283
3"	93	76	0.625
- RIGID PVC AS PER DESIGNS E, F SHALL BE USED FOR STRAIGHT DUCT RUNS LONGER THEN 3 METRES.
- ADAPTER THREADS SHALL BE SPRAYED WITH WD-40 LUBRICANT TO EASE INSTALLATION OF LOCKNUTS.

ASB 94-04-19 /KLEBORN

										DSCN	AJJ	RECNO	MAP/RMR	BChydro CORFLO DUCT TO THREADED PIPE AND RIGID PVC DUCT			
										DWN		APPD					
										INDEP CHKD		APPD	AMcC				
										INSPD		APPD					
										SUBD		DATE	77-05				
02	GENERAL REVIEW, REDRAWN				94-04	ASB								FILE NO NES 44	L0005-01	DWG NO ES 44-L0005-01R02	
#	NO	REMARKS			DATE	DWN	DSGN	INDEP CHKD	INSPD	SUBD	RECNO	APPD	APPD	#	M	DISTR CODE	
REVISIONS																	

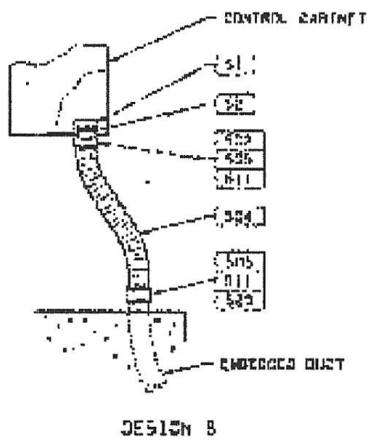


DESIGN A



DESIGN C

CONFIGURATION FOR EXISTING EQUIPMENT ONLY



DESIGN B

*60 kv
conduits
to
brackets*

ITEM NO	QTY/SECTION			MU	STOCK NO	DESCRIPTION
	A	B	C			
501	1			EA	401-0383	WELL ADAPTOR-PLASTIC DUCT ED MALE PIPE THREAD, 3"
502	1			CA	401-1079	ADAPTOR-3" COUPLER ED 3" WELL PIPE THREADED, W/LEAK
504				M	400-5010	PLASTIC DUCT-POLYETHYLENE (PE) ED, 3"
505		4		CA	401-1023	SEAL RING-3", FOR ADAPTOR 401-1023
511				CA	141-1044	PVC CONDUIT-ONE PINE CONTAINER
508		1		CA	401-0382	ADAPTOR-DUCT TO CONFD, 3"
506				CA	400-4011	CABLE DUCT-PVC, TYPE B90, 5/8" I.D., RIGID CONFD, 3"
501	1			CA	401-0152	COUPLING-PVC, TYPE 002, 3"
51	1	1		CA	==	CONDUIT BUSHING-GALVANIZED, 3"
52	2	1		LA	==	CONDUIT LOCKNUT-GALVANIZED, 3"
53				LOT	==	PACKING-PELURBETHANE FRAM STRIPS
54				LOT	==	DUCT SEAL-SH DUNSEAL-TREADED JSTOR

* QUANTITY AS REQUIRED FOR SPECIFIC PROJECT
 == MATERIAL TO BE SUPPLIED BY INSTALLATION CONTRACTOR

NOTES
 1. DIMENSIONS ARE IN MILLIMETERS UNLESS OTHERWISE SHOWN.
 2. QUANTITIES SHOWN ARE FOR ONE EXTENSION ONLY. FOR THE NUMBER OF EXTENSIONS PROVIDED FOR A SPECIFIC ITEM OF MAJOR EQUIPMENT REFER TO THE PROJECT SPECIFICATIONS AND LAYOUT DRAWINGS.
 3. RIGID DUCT TO BE CUT IN HALF LONGITUDINALLY, PLACED AROUND EXISTING CABLES AND CONFD, AND SEALED PRIOR TO POURING CONCRETE.

										BCHydro	
										CONDUIT EXTENSIONS FOR MAJOR EQUIPMENT WITH OIL CONTAINMENT SYSTEM	
										04-06	
										REV. NO. 1, 04/08-01	
										CS 44-LO415-01R00	